

YASKAWA

MOTOMAN MPX1150

Small Robot optimized for Painting

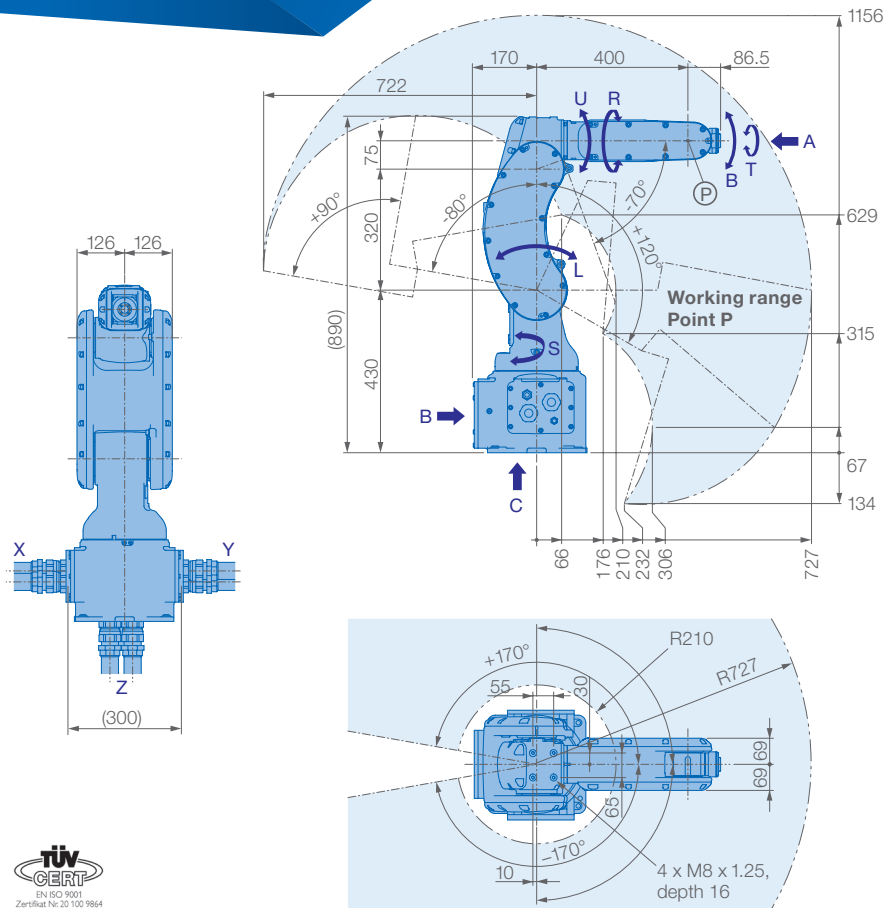


The compact MOTOMAN MPX1150 robot was developed especially for painting of small work pieces. It provides a payload of 5 kg for mounting multiple guns and small bells. Its high density layout saves space by reducing the size of the painting booth. The S/L axis is designed with no offset to enable installation of the manipulator closer to a work piece. The robot can be mounted on the floor, wall or ceiling and has three selectable access points for power cables.

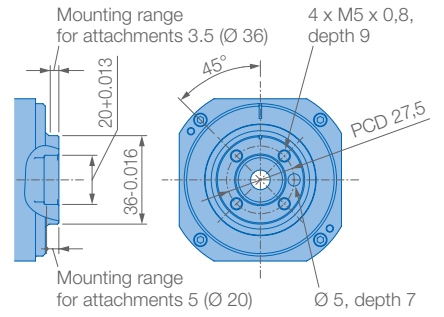
The MOTOMAN MX1150 is controlled by the high-performance MOTOMAN DX200 controller, which is available with optional Functional Safety Unit (FSU) that offers a wide range of new safety functions.

KEY BENEFITS

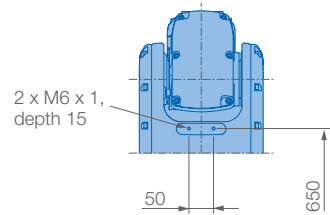
- **High painting quality**
 - 5 kg payload
 - Mounting of multiple guns and small bells
- **Optimized range of motion**
 - S/L axis designed with no offset for
 - Effective use of area under the arm and
 - Closer installation of the robot arm to a work piece
- **Compact & flexible installation**
 - Minimized dimensions and interference radius enable high-density layout
 - Flexible layout due to floor, ceiling or wall mounting
 - Three selectable access points for power cables



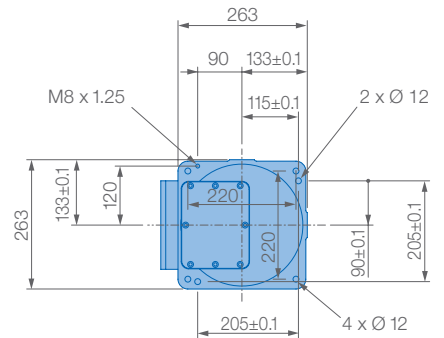
View A



View B

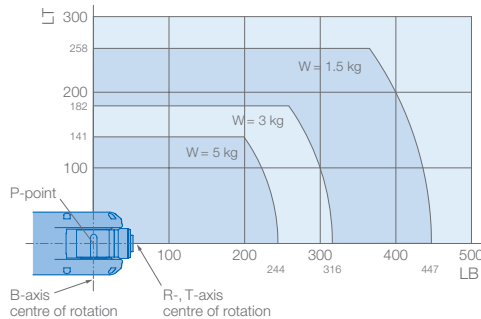


View C



Mounting options: Floor, ceiling, wall
Protection class: IP4X/65

Allowable wrist load



ATEX Category 2: (MPX1150-C00)

Ex II 2 G Ex ib pxb IIB T4 Gb
Ex ib IIB T4 Gb
Ta = 0°C to 40°C

CE
0408

Specifications MPX1150					
Axes	Maximum motion range [°]	Maximum speed [m/sec.]	Allowable moment [Nm]	Allowable moment of inertia [kg · m²]	Controlled axes
S	±170 (Wall ±90)	1.5	-	-	6
L	+120/-80		-	-	Max. payload [kg]
U	+90/-70		-	-	Repeatability [mm]
R	±190		12	0.3	Max. working range R [mm]
B	±135		12	0.3	Temperature [°C]
T	±360		7	0.1	Humidity [%]
					Weight [kg]
					Power supply, average [KVA]

YASKAWA Europe GmbH

Robotics Division
Yaskawastraße 1
85391 Allershausen
Germany

Tel. +49 (0) 8166 90-0
robotics@yaskawa.eu.com
www.yaskawa.eu.com

YR-MPX1150-C00
A-12-2017, A-No. 188664