

YASKAWA

MOTOMAN MA1440

Shielded Arc Welding with the MA-series



The 6-axis MOTOMAN MA1440 has been developed in order to achieve optimal results in extremely difficult conditions and especially for the high demands of arc welding applications.

With its increased payload of 6 kg, its superior wire feed system, the maximum working range of 1440 mm and integrated media hose package, the 6-axis robot MA1440 significantly improve welding quality. This enables the simple machining of bulky and hard-to-access workpieces.

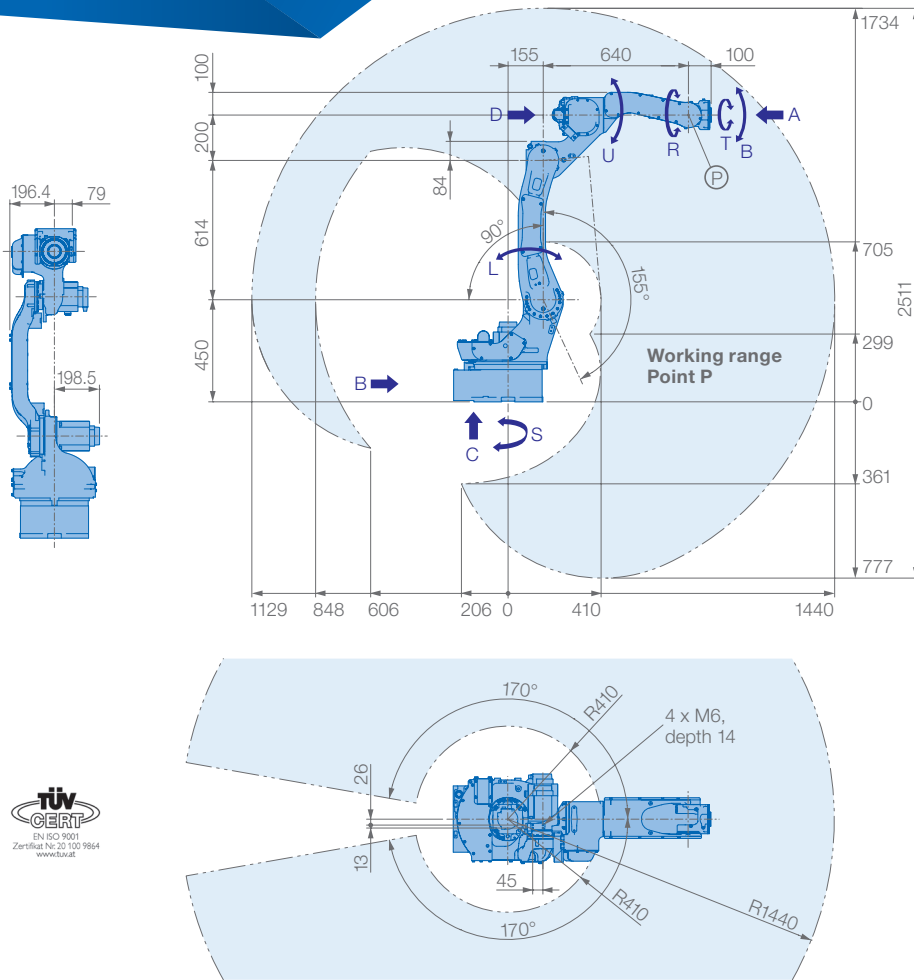
The fast motion sequences reduce welding cycle times. The torch cables are integrated in the robot arm in order to avoid collisions with the workpiece or other robots. This not only ensures greater accessibility to the devices; the reduced torsional and flexural loads on the torch dress package also result in less wear. Additionally, the possible number of robots in the production cells can be increased considerably.

The hollow wrist from 42 mm was extended to 50 mm, and the rate of the flange to B-axis from 200 mm has been reduced to 100 mm.

Further new features are the integration of the power cable as well as the air connections in the base and an enlarged turning range of more than 340°.

KEY BENEFITS

- Expanded diameter of hollow wrist (42 to 50 mm)
- High speed shortens the air cut time and eliminate the air cut time
- Doubled payload compared with other models in its class
- Servo torch and sensors can be installed
- Can be used in the welding process is used more large robot
- Streamlined arm is based on industrial design eliminates the interference with jig
- Industrial design arm prevents the invasion of spatter and makes the maintenance easy
- Possibility of additional medium (Power cable, air connections, ect.)

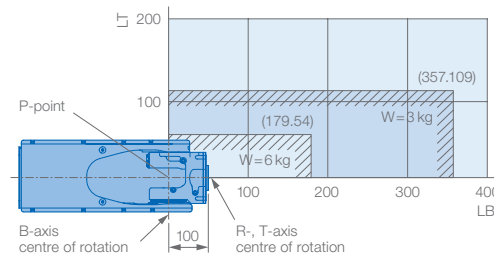


Please note wall mounting option:
±30° S-axis limit

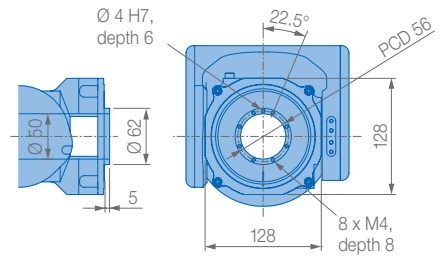
Please note ceiling mounting option:
Please notice working range of B-axis

Please note tilted robot:
0°–90° limitation of S-axis, details on request

Allowable wrist load



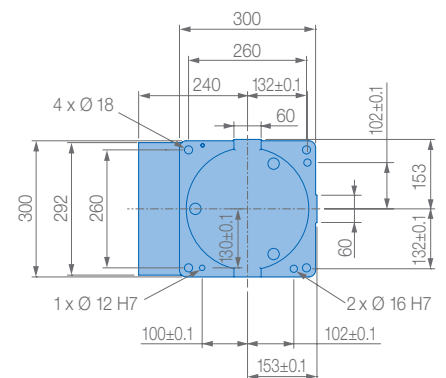
View A



View B

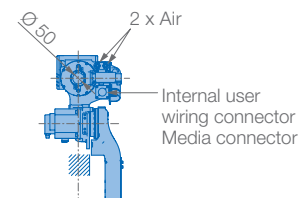


View C



Mounting options: Floor, ceiling, wall
Protection class: IP54/67

View D



Specifications MA1440 (Type floor, wall: YR-MA01440-A00, type ceiling: YR-MA01440-A10)

Axes	Maximum motion range [°]	Maximum speed [°/sec.]	Allowable moment [Nm]	Allowable moment of inertia [kg · m ²]	Controlled axes	6
S	±170	230	–	–	Max. payload [kg]	6
L	+155/–90	200	–	–	Repeatability [mm]	±0.08
U	+240/–175	230	–	–	Max. working range R [mm]	1440
R	±150	430	10.5	0.28	Temperature [°C]	0 to +45
B	A00: +90/–135 A10: +135/–90	430	10.5	0.28	Humidity [%]	20 – 80
T	±210	630	3.2	0.06	Weight [kg]	130
					Power supply, average [KVA]	1.5

YASKAWA Europe GmbH

Robotics Division
Yaskawastraße 1
85391 Allershausen
Germany

Tel. +49 (0) 8166 90-0
robotics@yaskawa.eu.com
www.yaskawa.eu.com

YR-MA01440-A00, YR-MA01440-A10
A-07-2018, A-No. 162865