

YASKAWA

MOTOMAN GP180-120

Handling & General Applications
with the GP-series



This powerful six-axis handling robot features high speed motion which reduce cycle times.

High payload and increased moment and inertia ratings allows the MOTOMAN GP180-120 the handling of large and heavy payloads. Its streamlined upper arm design features a slim wrist profile and reduces robot width. This enables easier reach into confined spaces, improving application flexibility. Therefore the MOTOMAN GP180-120 can be mounted closer to machines and fixtures, making best use of valuable floor space.

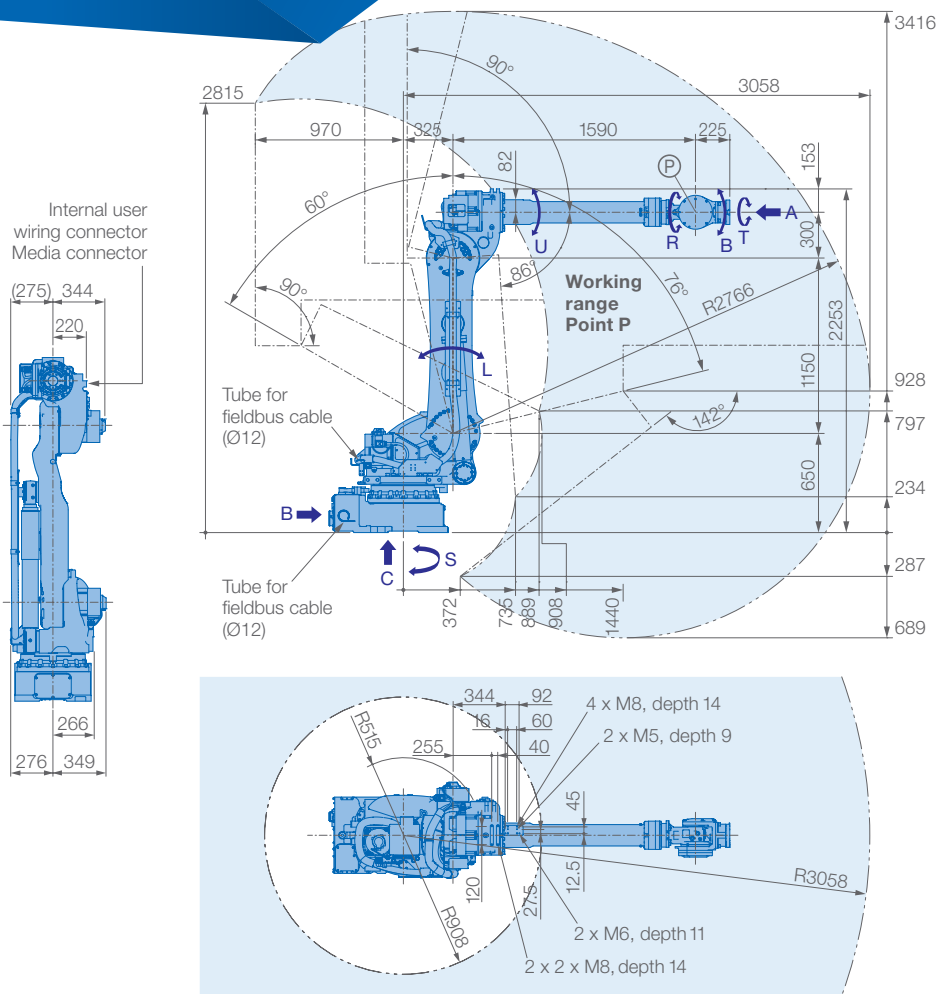
Its cables and airlines are routed through the robot base to upper arm to increase cable life, enhance safety and reduce teaching time.

The cable installation tube in the base of the robot facilitates fieldbus routing to the robot upper arm and/or gripper. It is also pre-wired for servo gripper which allows a wider range of product handling.

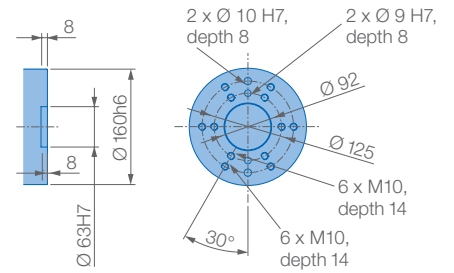
The MOTOMAN GP180-120 has an IP67-rated wrist and an IP54 body standard.

KEY BENEFITS

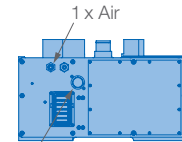
- Small footprint and minimal interferences
- High inertia rating enables handling of huge work pieces
- Reduced cycle times by optimal design and high axes speed
- Versatile use in various applications
- High density spacing and reaching into confined spaces



View A

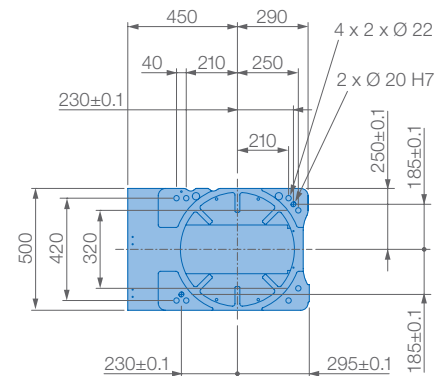


View B



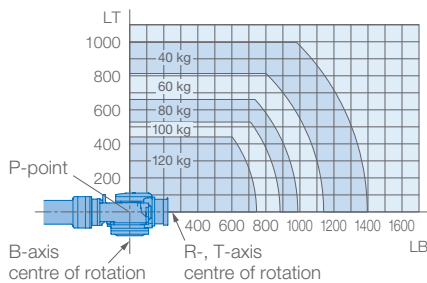
Internal user wiring connector
Media connector

View C



Mounting option: Floor
Protection class: IP54/67

Allowable wrist load



Specifications GP180-120						
Axes	Maximum motion range [°]	Maximum speed [°/sec.]	Allowable moment [Nm]	Allowable moment of inertia [kg · m ²]	Controlled axes	6
S	±180	125	-	-	Max. payload [kg]	120
L	+76/-60	115	-	-	Repeatability [mm]	±0.2
U	+90/-86	125	-	-	Max. working range R [mm]	3058
R	±360	182	883	79	Temperature [°C]	0 to +45
B	±130	175	883	79	Humidity [%]	20 - 80
T	±360	265	520	40	Weight [kg]	1090
					Power supply, average [KVA]	5.0

YASKAWA Europe GmbH

Robotics Division
Yaskawastraße 1
85391 Allershausen
Germany

Tel. +49 (0) 8166 90-0
robotics@yaskawa.eu.com
www.yaskawa.eu.com

YR-1-06VX-180-120-A00
A-07-2018, A-No. 195942