

YASKAWA

MOTO-Compact RVE

Mobile compact welding cell

The ideal solution for effectively and flexible robotic welding!

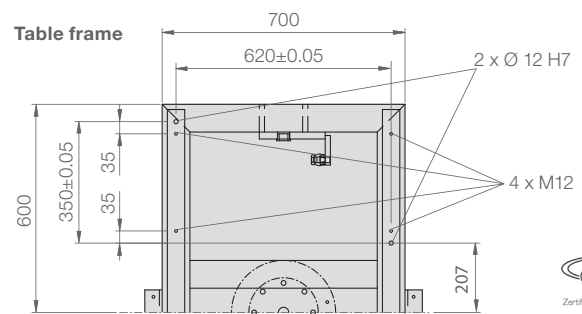
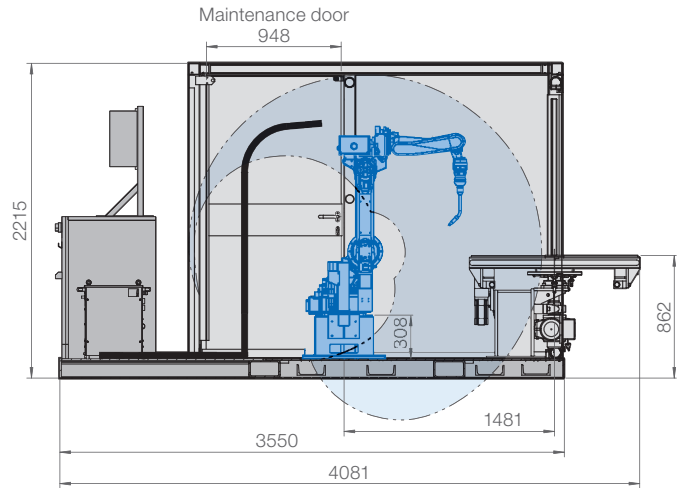
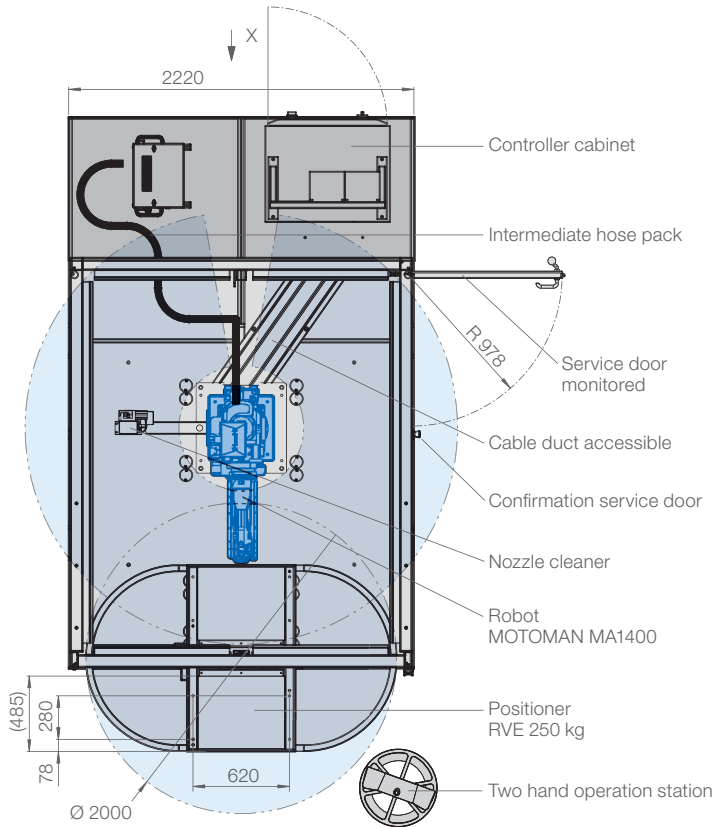
The cost-effective MOTO-Compact RVE welding cell is most suitable for universal application in the production of small parts.

The compact cell can be repositioned quickly and easily using a forklift truck.



KEY BENEFITS

- Easy access to automated manufacturing
- Extremely compactness
- Short expenditure of time for assembling and disassembling
- No position variations by relocation
- Ideal solution for MIG/MAG welding
- Optional: TIG or plasma welding
- MOTO-Compact RVE according to CE



Scope of supply

- 1 x MOTOMAN welding robot MOTOMAN MA1400 or MH6
- 1 x MOTOMAN DX100 controller
- 1 x MOTOMAN electrical rotary with drive (type RVE)
- 1 x automatic torch cleaning unit
- 1 x self-supporting groundplate
- 1 x safety cabine with maintenance door
- welding equipment from 300 A
- welding torch with crashbox and hose package
- nozzle cleaning device

Technical data

Robot	MOTOMAN MA1400 or MH6	
Controller	DX100 or DX200	
Cycle time	2 x 180°	
Station change	approx. 5 sec.	
Max. payload	250 kg per station for sym. load	
Drive	AC-Motor, 0.75 kW	
Media supply	optional	
Possible fixture sizes	(W) 1600 x (H) ca. 1000 x (D) 500 mm (W) 1200 x (H) ca. 1000 x (D) 700 mm	
Cabine size	Length: 4080 mm Width: 2220 mm	Height: 2215 mm Weight: approx. 2800 kg