

YASKAWA

MOTOMAN ArcWorld 250/500

A world of opportunities in a small space



Controlled by
DX200

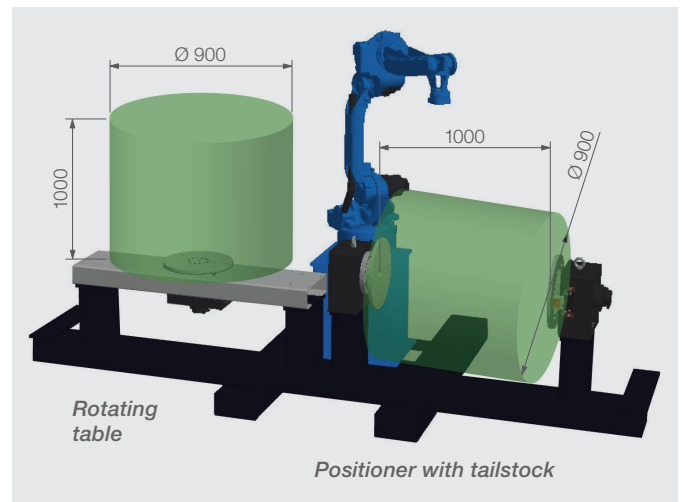
MOTOMAN ArcWorld – in full production from day one

The economical entry into robotic welding

MOTOMAN ArcWorld is a compact standard welding cell with two stations, designed for small to midsize objects and with one part positioner in each station. These could be one of the same, or two different positioners.

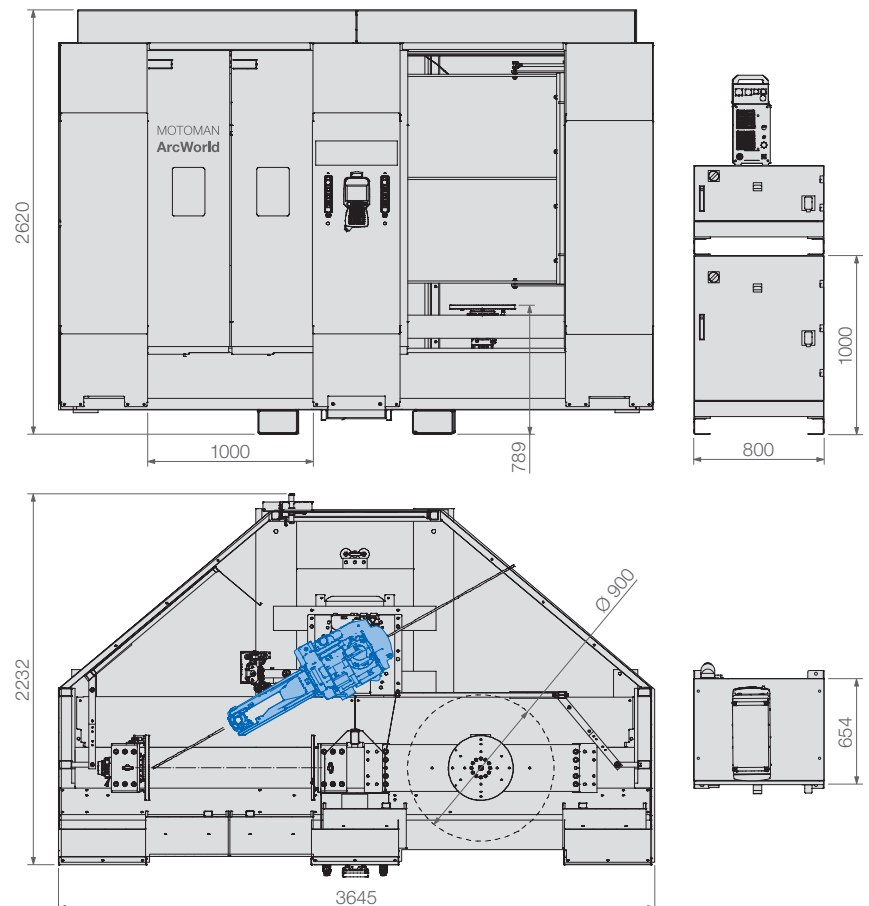
Another important feature is that the robot cell is easy to move into position, and can be installed within four hours. This makes it ideal to relocate if the needs of your production changes.

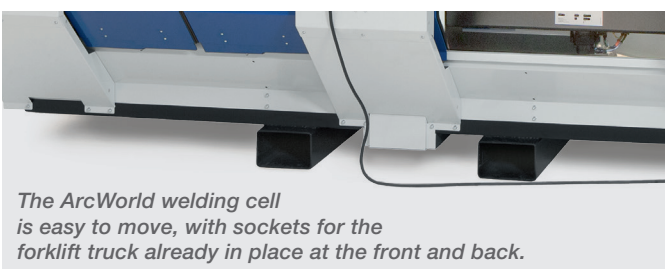
MOTOMAN ArcWorld is the latest addition to YASKAWA's series of robotic welding cells. It is built on almost 30 years of experience of standardised robotic welding cells.



KEY BENEFITS

- Installation within 4 hours
- Quick assembly and adjustment according to production process
- 12 variants (positioner) available
- Power sources of leading suppliers
- Automatic doors
- Crane loading of positioners
- Small footprint
- Fast integration into various production sequences
- Simple operation
- 2 weight classes: 250 and 500 kg





The ArcWorld welding cell is easy to move, with sockets for the forklift truck already in place at the front and back.

Technical data ArcWorld				
Available components	Description		Quantity	
Robot	MOTOMAN MA1440:			
	Controlled axes	6	1	
	Max. payload	6 kg		
	Repeat. pos. accuracy	± 0.08 mm		
	Max. working range	1440 mm		
	Weight	130 kg		
Positioner	Power supply, average	1.5 KVA		
	Mounting options	Floor, wall, ceiling		
	ArcWorld 250 ArcWorld 500		2 x Fixed table	0
			2 x Vertical axis	2
			2 x Horizontal axis	2
			Horizontal and vertical axis	2
		Horizontal axis and fixed table	1	
		Vertical axis and fixed table	1	
Welding power sources	YASKAWA Weld Kit (WL200)	AWK welding torch & hose, air-cooled	1	
	Fronius Weld Kit (TPS 3.200)	Fronius welding torch & hose, air and watercooled	1	
	Jäckle Weld Kit (Pro Puls 400)	Binzel welding torch & hose, air and watercooled	1	
	EWM Weld Kit (Alpha Q352)	Binzel welding torch & hose, air and watercooled	1	
	SKS Weld Kit (LSQ3)	SKS welding torch & hose, air and watercooled	1	
	Kemppi Weld Kit	AWK welding torch & hose, air-cooled	1	
Esab Weld Kit	AWK welding torch & hose, air-cooled	1		
Optional accessories	Available on request			

YASKAWA Headquarters

YASKAWA Europe GmbH
Robotics Division
Yaskawastraße 1
85391 Allershausen, Germany
Tel. +49 (0) 8166/90-0
Fax +49 (0) 8166/90-103

YASKAWA ACADEMY and sales office Frankfurt

YASKAWA Europe GmbH
Robotics Division
Hauptstraße 185
65760 Eschborn, Germany
Tel. +49 (0) 6196/77725-0
Fax +49 (0) 6196/77725-39

YASKAWA GROUP

AT YASKAWA Austria
Schwechat/Wien
+43(0)1-707-9324-15

CZ YASKAWA Czech s.r.o.
Rudná u Prahy
+420-257-941-718

ES YASKAWA Ibérica, S.L.
Gavà/Barcelona
+34-93-6303478

FR YASKAWA France SARL
Saint-Aignan-de-Grand-Lieu
+33-2-40131919

FI YASKAWA Finland Oy
Turku +358-(0)-403000600

GB YASKAWA UK Ltd.
Banbury +44-1295-272755

IT YASKAWA Italia s.r.l.
Torino +39-011-9005833

IL YASKAWA Europe Technology Ltd.
Rosh Ha'ayin +972-3-9004114

NL YASKAWA Benelux B.V.
Son +31-40-2895500

PL YASKAWA Polska Sp. z o.o.
Wrocław +48-71-7928670

RU YASKAWA Nordic AB
Moskva +46-480-417-800

SE YASKAWA Nordic AB
Torsås +46-480-417-800

SI YASKAWA Slovenia
Ribnica +386-1-8372-410

TR YASKAWA Turkey Elektrik
Ticaret Ltd. Sti.
İstanbul +90-216-5273450

ZA YASKAWA Southern Africa (PTY) Ltd
Johannesburg +27-11-6083182

DISTRIBUTORS

BG ARAMET ROBOTICS Ltd.
Yambol +359-885 317 294
Kammarton Bulgaria Ltd.
Sofia +359-02-926-6060

CH Messer Eutectic Castolin
Switzerland S.A.
Dällikon +41-44-847-17-17

DK Robotcenter Danmark
Løsning +45 7022 2477

EE RKR Seadmed OÜ
Tallinn/Estonia +372-68-35-235

GR Gizelis Robotics
Nea Kifissia +30-2106251455

HU Flexman Robotics Kft
Budapest +36-30-9510065

LT Profibus UAB
Panevezys +370-45-518575

NO Skala Robotech AS
Lierstranda +47-32240600

PT ROBOPLAN Lda
Aveiro +351-234 943 900

RO Sam Robotics srl
Timisoara +40-720-279-866
MPL Automation S.R.L.
Satu Mare +40 (0) 261 750 741

